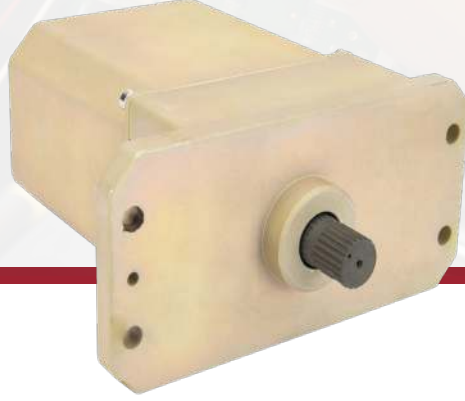


FSA101-0000-00

ROTARY SERVO ACTUATOR



APPLICATIONS

FSA101-0000-00 rotary servo actuator is used to position the primary and secondary flight control surfaces on unmanned platforms. These actuators are flight proven with 120,000+ flight hours.



Unmanned Platforms - Primary flight control surface, secondary flight control surface

Urban Air Mobility Vehicles - Flight control surfaces

STANDARDS

MIL-STD-461E

MIL-STD-810G

KEY FEATURES

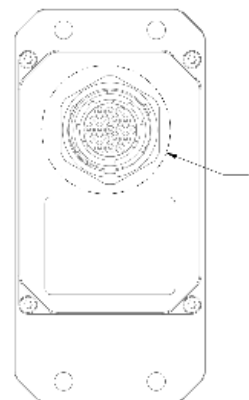
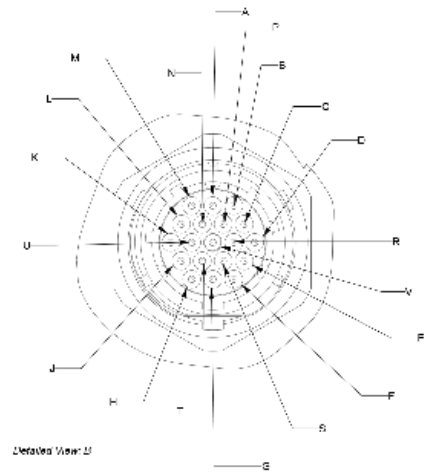
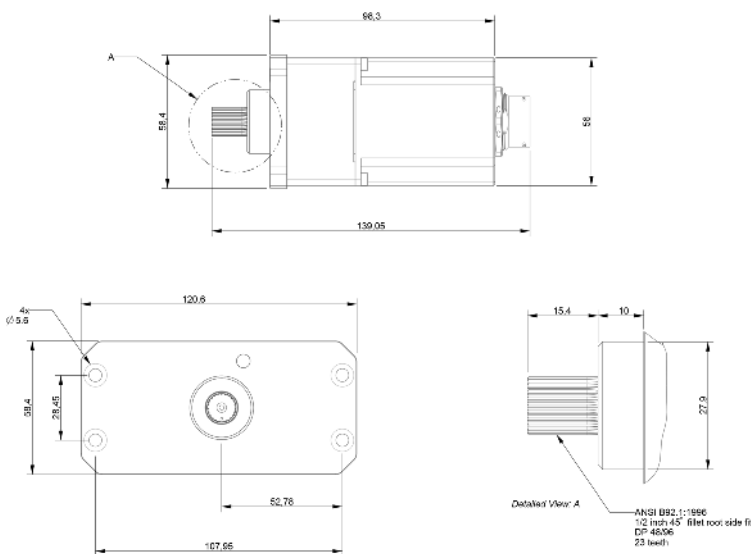
- > Primary & secondary flight control surface servo actuator
- > Flight-proven, 120,000+ flight hours
- > Compatible with MIL-STD-461E and MIL-STD-810G

Actuator Specifications

Operating Voltage	28V
Standby Current	0.06A
No Load Speed	180°/s
Speed at Nominal Torque	150°/s
Rated Torque	10 Nm
Peak Torque	16 Nm
Current at Nominal Torque	<1.5 A
Stall Current	<1 A
Output Resolution	0.022°
Hysteresis	<1°
Mechanical Backlash	≤0.5°
Size	56 x 81 x 98.3 mm
Weight	820 g
Electrical Limit	±45° (configurable)
Mechanical Limit	±50°
Frequency Response	≥6 Hz

Environmental Specifications

Operating Temperature	-40°C to 71°C
Storage Temperature	-54°C to 85°C
Vibration	MIL-STD-810G
Mechanical Shock	MIL-STD-810G
Altitude	MIL-STD-810G
RE102	MIL-STD-461F
RS103	MIL-STD-461F
CS114	MIL-STD-461F



Connection	MS3478E 14-16S
Power Interface	+ 5 VDC
Pinout Diagram	
Pin	Signal
A	Power Ground
B	+28 VDC
C	+28 VDC
D	Not Connected
E	Reserved
F	Reserved
G	Analog Ground
H	Not Connected
I	Not Connected
J	Not Connected
K	+ Position CMD
L	- Position CMD
M	Current Signal Out
N	Not Connected
O	Not Connected
P	Not Connected
R	Status Signal
S	Chassis Ground
T	Not Connected
U	Floating CMD
V	Not Connected