

# GSE101-0000-00

# LINEAR ACTUATOR



GSE101-0000-00 is designed and developed for use in guidance systems. Indigenous design includes a high power slotless BLDC motor along with gearbox and encoder.

## KEY FEATURES

- > Incremental rotary encoder
- > Field-proven
- > Configurations for different stroke, load & speed
- > Optional absolute position feedback
- > Optional holding brake

## APPLICATIONS



Missiles - Control surface actuation  
Rockets - Thrust vectoring

[www.andar.com.tr](http://www.andar.com.tr)  
[bizdev@andar.com.tr](mailto:bizdev@andar.com.tr)

©ANDAR ELECTROMECHANICAL SYSTEMS / All Rights Reserved

**ANDAR**

## Actuator Specifications

**Nominal Voltage** 24 V or 48 V

**Rated Speed** 90 mm/s

**Rated Force** 5,000 N

**Rated Output Power** 450 W

**Mechanical Stroke** 27 mm

**Dimensions**  $\varnothing 50 \times 160$  mm

**Static Load Limit** 5,500 N

**Operating Temperature** -40°C to +72°C

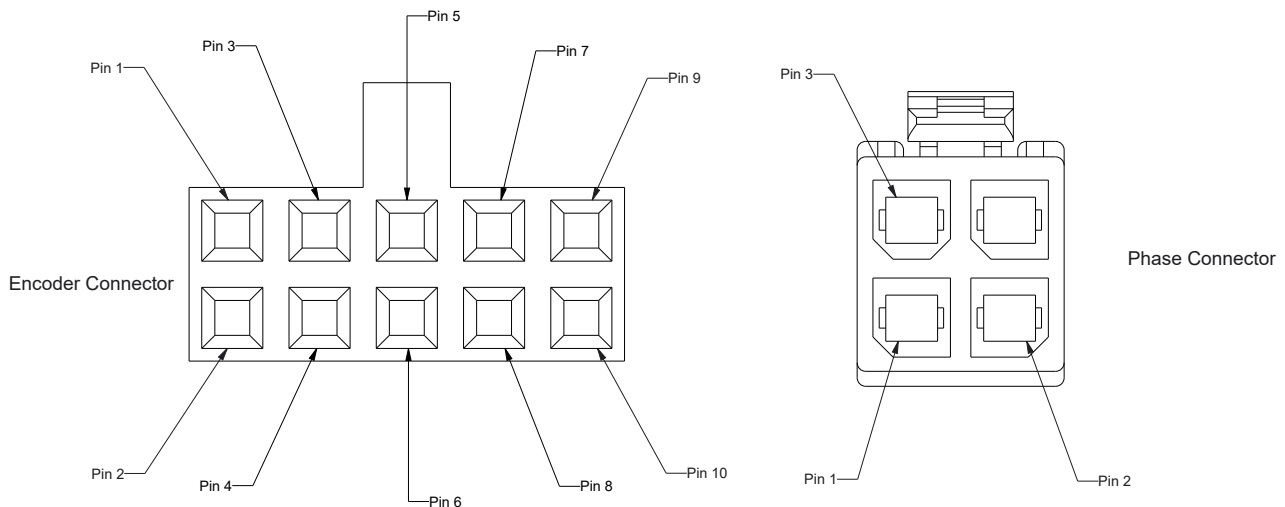
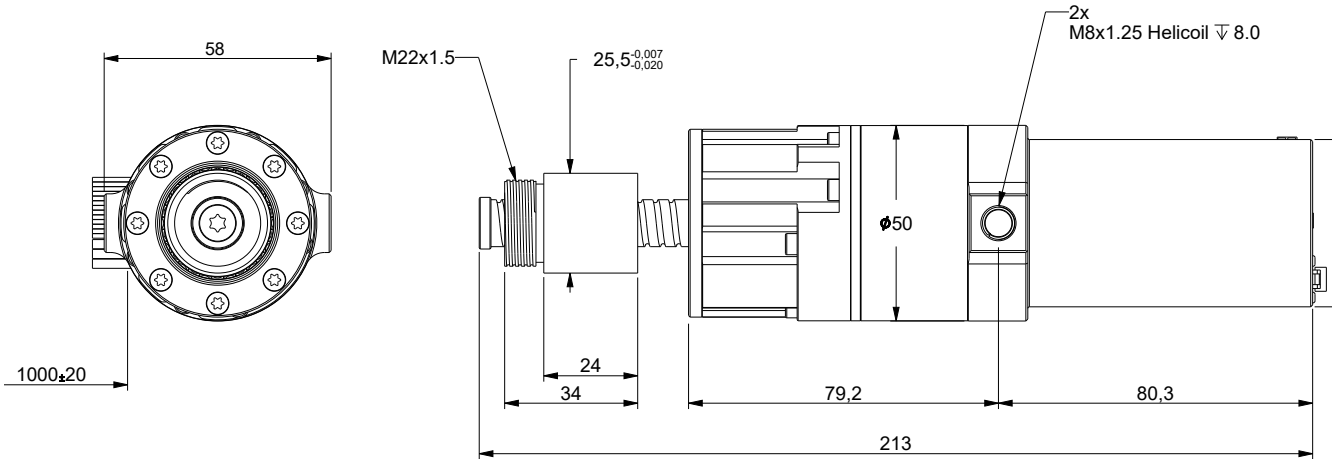
**Ball Screw Diameter** 12 mm

**Ball Screw Lead** 4 mm

**Weight** <1.3 kg

**Motor - Gearbox Mount Type** Inline

**Feedback** Hall Sensor + Encoder



Pin	Signal	Color	AWG	Connector
1	Not Connected			Encoder Connector Molex 022552102 Terminal Molex 16020086
2	Vcc 5V±10%	Black	24	
3	Ground	Brown	24	
4	Not Connected			
5	Channel A -	Red	24	
6	Channel A +	Orange	24	
7	Channel B -	Yellow	24	
8	Channel B +	Green	24	
9	Index -	Blue	24	
10	Index +	Purple	24	
1	Motor Winding 1	Red	14	Phase Connector Molex 17000010104 Terminal Molex 1720630311
2	Motor Winding 2	Black	14	
3	Motor Winding 3	White	14	
4	Not Connected			
1	Hall 1	Yellow	24	Hall Switch Connector Molex 430250600 Terminal Molex 430300001
2	Hall 2	Brown	24	
3	Hall 3	Gray	24	
4	Ground	Blue	24	
5	+V hall +3.24VDC	Green	24	
6	Not Connected			

