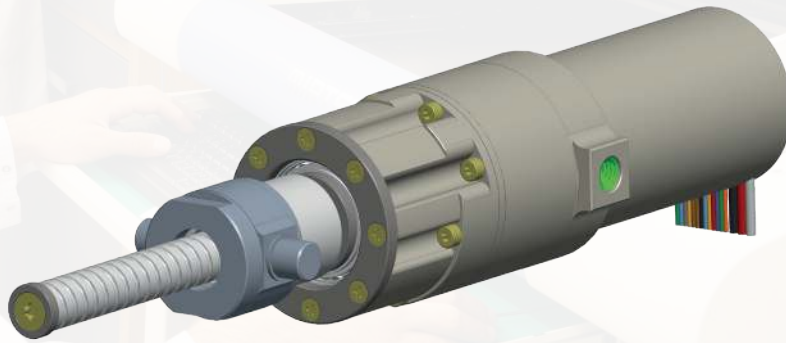


GSE101-0000-03

LINEAR ACTUATOR

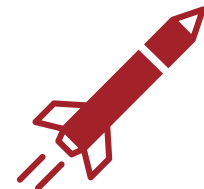


This actuator is a variant of GSE101-0000-00 where mechanical joint geometry and operating range are customized for the application

KEY FEATURES

- > Incremental rotary encoder
- > Field proven

APPLICATIONS



Missiles - Control surface actuation
Rockets - Thrust vectoring

www.andar.com.tr
bizdev@andar.com.tr

©ANDAR ELECTROMECHANICAL SYSTEMS / All Rights Reserved

ANDAR

Actuator Specifications

Nominal Voltage 24 V or 48 V

Dimensions $\varnothing 50 \times 160$ mm

Rated Speed 90 mm/s

Rated Force 5,000 N

Stroke 71 mm

Rated Output Power 450 W

Mechanical Stroke 81 mm

Static Load Limit 5,500 N

Operating Temperature -40°C to +72°C

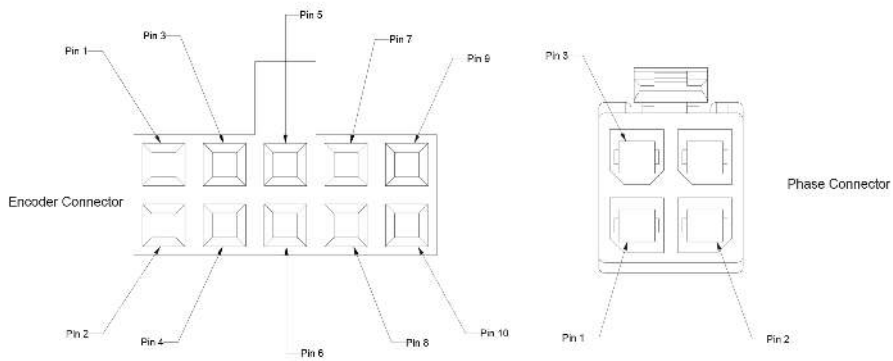
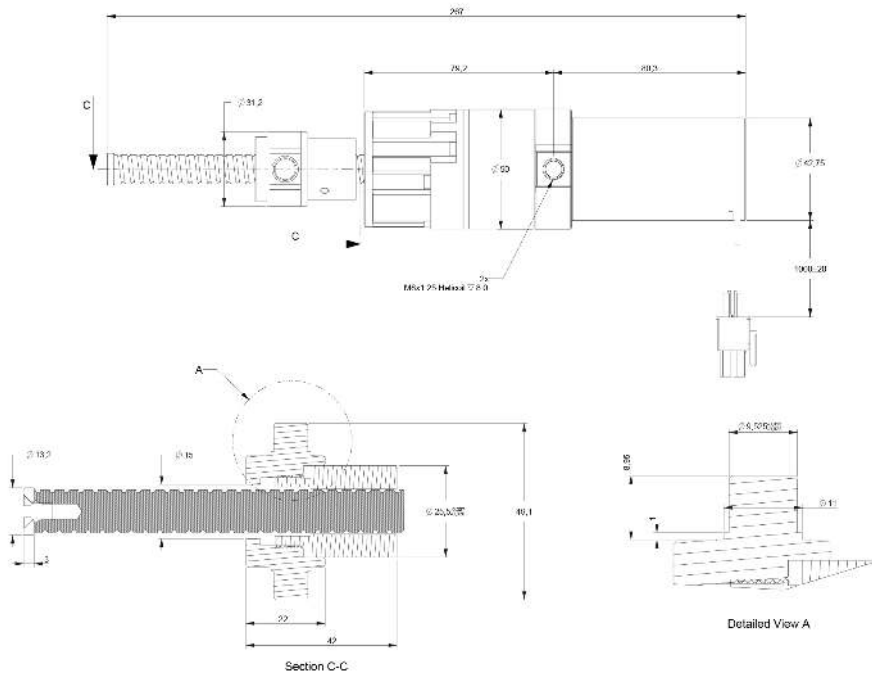
Ball Screw Diameter 12 mm

Ball Screw Lead: 4 mm

Weight: <1.3 kg

Motor - Gearbox Mount Type Inline

Feedback Hall Sensor + Encoder



Pin Signal	Color	AWG Connector	
1	Not Connected		
2	Vcc (24V/48V)	Black	24
3	Ground	Brown	24
4	Left Encoder		
5	Channel A	Red	24
6	Channel A	Orange	24
7	Channel B	Yellow	24
8	Channel B	Green	24
9	Index	Blue	24
10	Index	Purple	24
1	Motor/Encoder 1	White	24
2	Motor/Encoder 2	Black	18
3	Motor/Encoder 3	White	18
4	Left Encoder		
1	Pin 1	Yellow	24
2	Pin 2	Brown	24
3	Pin 3	Gray	24
4	Ground	Black	24
5	Vcc (24V/48V)	Green	24
6	Not Connected		