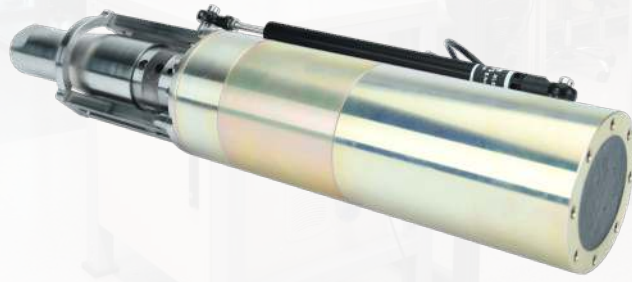


GSE101-0000-09

LINEAR ACTUATOR



Includes the highest dynamic and static load limits among GSE101 product family along with linear absolute positioning sensor and anti-rotation system.

KEY FEATURES

- > Linear Absolute Positioning Sensor
- > High Static Load Limit
- > Anti-rotation System

APPLICATIONS



Missiles - Control surface actuation
Rockets - Thrust vectoring

www.andar.com.tr
bizdev@andar.com.tr

©ANDAR ELECTROMECHANICAL SYSTEMS / All Rights Reserved

ANDAR

Actuator Specifications

Nominal Voltage 24 V or 48 V

Dimensions \varnothing 55 x 175 mm

Rated Speed 90 mm/s

Rated Force 5,000 N

Rated Output Power 450 W

Mechanical Stroke 53 mm

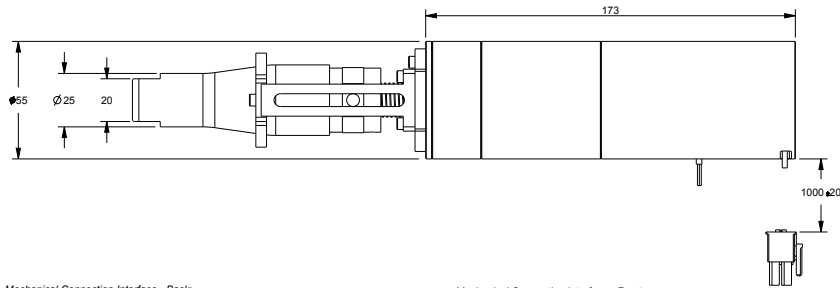
Static Load Limit 15,000 N

Operating Temperature -40°C to +72°C

Weight 2.4 kg

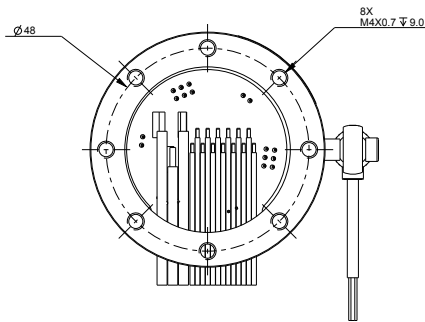
Motor - Gearbox Mount Type Inline

Feedback Hall Sensor + Encoder + Potentiometer

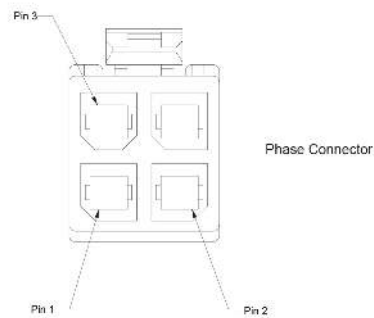
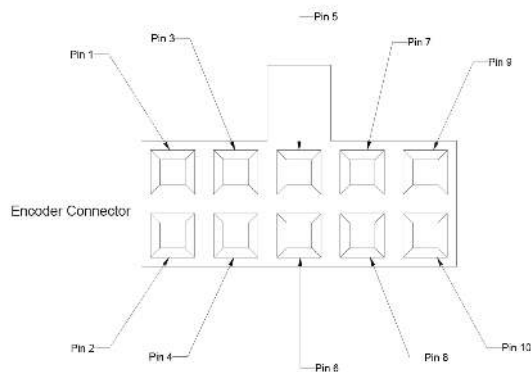
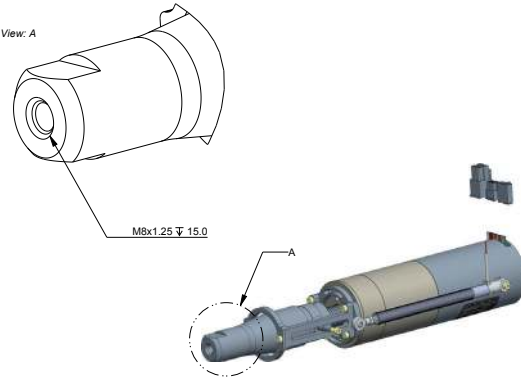


Mechanical Connection Interface - Back:

Mechanical Connection Interface - Front:



Detailed View: A



Pin/Signal	Color	AWG/ Connector
1	Not Connected	
2	Vcc 5V/0V	Black 24
3	Ground	Brown 24
4	Not Connected	
5	Channel A-	Red 24
6	Channel A+	Orange 24
7	Channel B-	Yellow 24
8	Channel B+	Green 24
9	Insc-	Blue 24
10	Insc+	Purple 24

Pin	Signal	Color	AWG/ Connector
1	Motor Winding 1	Red	14
2	Motor Winding 2	Black	14
3	Motor Winding 3	White	14
4	Not Connected		

Pin	Signal	Color	AWG/ Connector
1	Pin 1	Yellow	24
2	Pin 2	Brown	24
3	Pin 3	Blue	24
4	Ground	Black	24
5	48V Hall +0.2VDC	Green	21
6	Not Connected		

